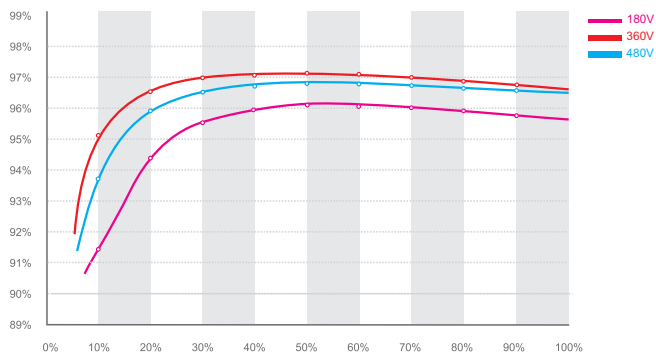


Leading - edge Technology

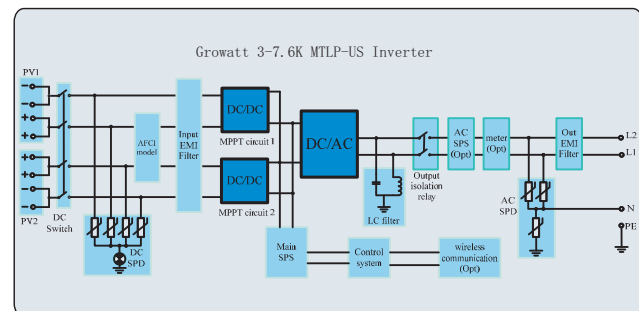
- ▶ Maximum efficiency of 97.5% and wide input voltage range
- ▶ Internal DC switch
- ▶ Transformerless GT topology
- ▶ Compact design
- ▶ Multi MPP tracker
- ▶ Sound control
- ▶ Easy installation
- ▶ MTL - String
- ▶ Ethernet / RF technology / WiFi
- ▶ Reactive power control



Growatt 6000MTLP-US efficiency



Growatt 3-7.6K MTLT-US topology



Datasheet	Growatt 3000MTLP-US	Growatt 4000MTLP-US	Growatt 5000MTLP-US	Growatt 6000MTLP-US	Growatt 7000MTLP-US	Growatt 7600MTLP-US
Input Data						
Max. usable input current per MPPT	10A/10A	18A/18A	18A/18A	18A/18A	20A/10A	20A/10A
Max. short circuit input current per MPPT	16A/16A	28A/28A	28A/28A	28A/28A	32A/16A	32A/16A
Max. usable input current per inverter	20A	27A	30A	36A	30A	30A
Max. short circuit input current per inverter	31A	42A	47A	56A	47A	47A
Startup voltage	150V	150V	150V	150V	150V	150V
Full power MPPT voltage range	180-480V	180-480V	180-480V	180-480V	240-480V	240-480V
Max. voltage	600V	600V	600V	600V	600V	600V
DC nominal voltage MPPT tracker	360V	360V	360V	360V	360V	360V
DC voltage range	100-600V	100-600V	100-600V	100-600V	100-600V	100-600V
MPP operating voltage range	120-500V	120-500V	120-500V	120-500V	120-500V	120-500V
Max. power per MPPT	3000/3000W	4000/4000W	5000/5000W	6000/6000W	7000/4800W	7600/4800W
MPPT wired in parallel	no/no	yes/yes	yes/yes	yes/yes	yes/yes	yes/yes
Number of MPPT	2	2	2	2	2	2
Inputs per MPPT	1/1	2/2	2/2	2/2	2/1	2/1
Output data						
Nominal output power	3000W	4000W	5000W	6000W	7000W	7600W
Continuous output power	3000W	4000W	5000W	6000W	7000W	7600W
Max. Continuous output current	12.5A	16.7A	21W	25A	29A	31.7A
Peak efficiency	TBD	97.2%	97.5%	97.5%	97.4%	97.3%
CEC weighted efficiency	TBD	96%	96.5%	96.5%	97%	97%
Max. over current protection device	16A	21A	26A	31A	36A	40A
Operating frequency/range	60/59.5~60.5	60/59.5~60.5	60/59.5~60.5	60/59.5~60.5	60/59.5~60.5	60/59.5~60.5
Default voltage type	240V split phase	240V split phase	240V split phase	240V split phase	240V split phase	240V split phase
Operating voltage range	211~264V	211~264V	211~264V	211~264V	211~264V	211~264V
Optional voltage type	208V/240V/277V single phase	208V/240V/277V single phase	208V/240V/277V single phase	208V/240V/277V single phase	208V/240V/277V single phase	208V/240V/277V single phase
Optional operating voltage range	183~228@208V/211~264V @240V/244~305@277V	183~228@208V/211~264V @240V/244~305@277V	183~228@208V/211~264V @240V/244~305@277V	183~228@208V/211~264V @240V/244~305@277V	183~228@208V/211~264V @240V/244~305@277V	183~228@208V/211~264V @240V/244~305@277V
Ambient operating temperature range(full load)	-25°C ~45°C (-13...+ 113°F)	-25°C ~45°C (-13...+ 113°F)	-25°C ~45°C (-13...+ 113°F)	-25°C ~45°C (-13...+ 113°F)	-25°C ~45°C (-13...+ 113°F)	-25°C ~45°C (-13...+ 113°F)
AC nominal voltage; range		Default:240V split-phase, optional:208V & 240V & 277V single phase , 183-228@208V 211-264V@240V 244-305@277V				
Phase shift (cosΦ)		Default: 0.99, opt Reactive power adjust / range:-0.85~+0.85				
THDI	<3%	<3%	<3%	<3%	<3%	<3%
General Data						
Integrated disconnect	DC disconnect	DC disconnect	DC disconnect	DC disconnect	DC disconnect	DC disconnect
Arc-fault	Standard	Standard	Standard	Standard	Standard	Standard
DC reverse polarity protection	yes	yes	yes	yes	yes	yes
DC disconnect rating for each MPPT	yes	yes	yes	yes	yes	yes
Output overvoltage protection-varistor	yes	yes	yes	yes	yes	yes
Output over current protection	yes	yes	yes	yes	yes	yes
Ground fault monitoring for Split phase	yes	yes	yes	yes	yes	yes
Grid monitoring	yes	yes	yes	yes	yes	yes
Integrated all - pole sensitive leakage current monitoring unit	yes	yes	yes	yes	yes	yes
Compliant to UL 1699B	yes	yes	yes	yes	yes	yes
Features						
Dimensions(W* H*D)	Type1: 26.77*15.75*8.46in Type2: 28.74*15.75*8.46in	Type1: 26.77*15.75*8.46in Type2: 28.74*15.75*8.46in	Type1: 26.77*15.75*8.46in Type2: 28.74*15.75*8.46in	Type1: 26.77*15.75*8.46in Type2: 28.74*15.75*8.46in	Type1: 26.77*15.75*8.46in Type2: 28.74*15.75*8.46in	Type1: 26.77*15.75*8.46in Type2: 28.74*15.75*8.46in
Weight	Type1: TBD Type2: TBD	Type1: 31.5kg/69.4Lb Type2: 31.5kg/69.4Lb	Type1: 31.5kg/69.4Lb Type2: 31.5kg/69.4Lb	Type1: 31.5kg/69.4Lb Type2: 32kg/70.5Lb	Type1: 31.5kg/69.4Lb Type2: 32kg/70.5Lb	Type1: 31.5kg/69.4Lb Type2: 32kg/70.5Lb
Enclosure type	Type 4x	Type 4x	Type 4x	Type 4x	Type 4x	Type 4x
Cooling type	Convection	Convection	Convection	Convection	Convection	Convection
Topology	Transformer-less	Transformer-less	Transformer-less	Transformer-less	Transformer-less	Transformer-less
Relative humidity	100%	100%	100%	100%	100%	100%
Altitude	Up to 2000m(6560ft) without power de-rating	Up to 2000m(6560ft) without power de-rating	Up to 2000m(6560ft) without power de-rating	Up to 2000m(6560ft) without power de-rating	Up to 2000m(6560ft) without power de-rating	Up to 2000m(6560ft) without power de-rating
Noise emission (typical)	≤ 25 dB(A)	≤ 25 dB(A)	≤ 25 dB(A)	≤ 25 dB(A)	≤ 25 dB(A)	≤ 25 dB(A)
Consumption: standby	<5W	<5W	<5W	<5W	<5W	<5W
DC connection:	Screw terminal	Screw terminal	Screw terminal	Screw terminal	Screw terminal	Screw terminal
DC terminal Max. wire sizes	6AWG	6AWG	6AWG	6AWG	6AWG	6AWG
AC connection:	Screw terminal	Screw terminal	Screw terminal	Screw terminal	Screw terminal	Screw terminal
AC terminal Max. wire sizes	6AWG	6AWG	6AWG	6AWG	6AWG	6AWG
Smart meter for Type2	opt	opt	opt	opt	opt	opt
3G communication	opt	opt	opt	opt	opt	opt
AC connection:	Screw terminal	Screw terminal	Screw terminal	Screw terminal	Screw terminal	Screw terminal
Display	LCD	LCD	LCD	LCD	LCD	LCD
RS485/RS232/RF/WIFI/Ethernet for Type1	yes/yes/opt/opt/opt	yes/yes/opt/opt/opt	yes/yes/opt/opt/opt	yes/yes/opt/opt/opt	yes/yes/opt/opt/opt	yes/yes/opt/opt/opt
RS485/WIFI/Zigbee/Ethernet/3G for Type2	yes/opt/opt/opt/opt	yes/opt/opt/opt/opt	yes/opt/opt/opt/opt	yes/opt/opt/opt/opt	yes/opt/opt/opt/opt	yes/opt/opt/opt/opt
Warranty: 5 years / 10 years	yes /opt	yes /opt	yes /opt	yes /opt	yes /opt	yes /opt
Rapid Shutdown	External contactor junction box	External contactor junction box	External contactor junction box	External contactor junction box	External contactor junction box	External contactor junction box

Certificates and Approvals

UL1741,UL1998 ,IEEE 1547, CSA C22.2 No.107.1-1,FCC Part15(Class A&B),UL1699B