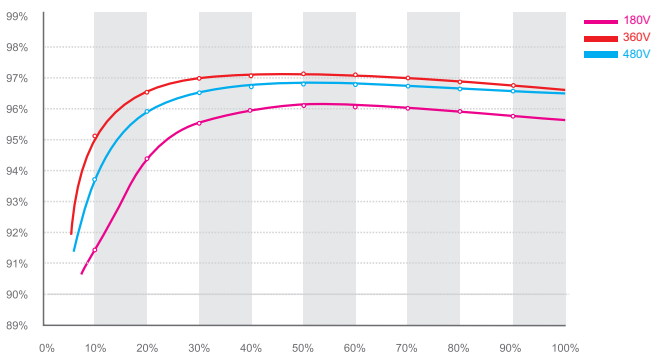


Leading - edge Technology

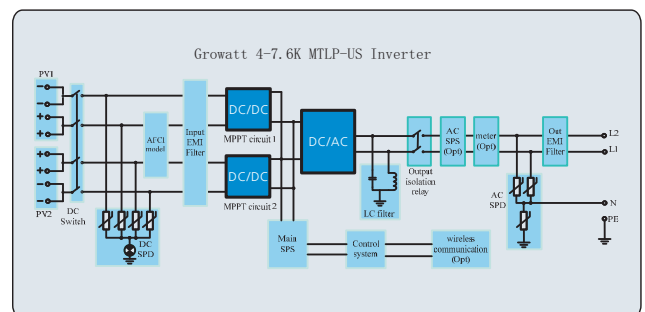
- ▶ Maximum efficiency of 97.5% and wide input voltage range
- ▶ Internal DC switch
- ▶ Transformerless GT topology
- ▶ Compact design
- ▶ Multi MPP tracker
- ▶ Sound control
- ▶ Easy installation
- ▶ MTL - String
- ▶ Ethernet / RF technology / WiFi
- ▶ Reactive power control



Growatt 6000MTLP-US efficiency



Growatt 4-7.6K MTLP-US topology



Datasheet

| | Growatt 4000 MTLP-US | Growatt 5000 MTLP-US | Growatt 6000 MTLP-US | Growatt 7000 MTLP-US | Growatt 7600 MTLP-US |
|--|----------------------|----------------------|----------------------|----------------------|----------------------|
|--|----------------------|----------------------|----------------------|----------------------|----------------------|

Input Data

| | | | | | |
|---|------------|------------|------------|------------|------------|
| Max. power per MPPT | 4000/4000W | 5000/5000W | 6000/6000W | 7000/4800W | 7600/4800W |
| Max. usable input current per MPPT | 18A/18A | 18A/18A | 18A/18A | 20A/10A | 20A/10A |
| Max. short circuit input current per inverter | 42A | 47A | 56A | 47A | 47A |
| Startup voltage | 150V | 150V | 150V | 150V | 150V |
| Max. voltage | 600V | 600V | 600V | 600V | 600V |
| DC nominal voltage MPPT tracker | 360V | 360V | 360V | 360V | 360V |
| DC voltage range | 100-600V | 100-600V | 100-600V | 100-600V | 100-600V |
| MPP operating voltage range | 120-500V | 120-500V | 120-500V | 120-500V | 120-500V |
| Number of MPPT | 2 | 2 | 2 | 2 | 2 |
| Inputs per MPPT | 2/2 | 2/2 | 2/2 | 2/1 | 2/1 |

Output data

| | | | | | |
|--|--|----------------------------|---|----------------------------|----------------------------|
| Nominal output power | 4000W | 5000W | 6000W | 7000W | 7600W |
| Max. Continuous output current | 16.7A | 21A | 25A | 29A | 31.7A |
| Peak efficiency | 97.2% | 97.5% | 97.5% | 97.4% | 97.3% |
| CEC weighted efficiency | 96% | 96.5% | 96.5% | 97% | 97% |
| Max. over current protection device | 21A | 26A | 31A | 36A | 40A |
| Operating frequency/range | 60/59.5~60.5 | 60/59.5~60.5 | 60/59.5~60.5 | 60/59.5~60.5 | 60/59.5~60.5 |
| Default voltage type | 240V split phase | 240V split phase | 240V split phase | 240V split phase | 240V split phase |
| Operating voltage range | 211~264V | 211~264V | 211~264V | 211~264V | 211~264V |
| Optional voltage type | | | 208V/240V/277V single phase | | |
| Optional operating voltage range | | | 183~228@208V/211~264V@240V/244~305@277V | | |
| Ambient operating temperature range(full load) | -25°C~45°C (-13...+ 113°F) | -25°C~45°C (-13...+ 113°F) | -25°C~45°C (-13...+ 113°F) | -25°C~45°C (-13...+ 113°F) | -25°C~45°C (-13...+ 113°F) |
| AC nominal voltage; range | Default:240V split-phase, optional:208V & 240V & 277V single phase , 183-228@208V 211-264V@240V 244-305@277V | | | | |
| Phase shift (cosΦ) | Default: 0.99, opt Reactive power adjust / range:-0.85~+0.85 | | | | |
| THDI | <3% | <3% | <3% | <3% | <3% |

General Data

| | | | | | |
|---|---------------|---------------|---------------|---------------|---------------|
| Integrated disconnect | DC disconnect | DC disconnect | DC disconnect | DC disconnect | DC disconnect |
| DC reverse polarity protection | yes | yes | yes | yes | yes |
| Output overvoltage protection-varistor | yes | yes | yes | yes | yes |
| Output over current protection | yes | yes | yes | yes | yes |
| Ground fault monitoring for Split phase | yes | yes | yes | yes | yes |
| Grid monitoring | yes | yes | yes | yes | yes |
| Integrated all - pole sensitive leakage current monitoring unit | yes | yes | yes | yes | yes |
| Compliant to UL 1699B | yes | yes | yes | yes | yes |

Features

| | | | | | |
|--|-----------------------------|-----------------------------|---|-----------------------------|-----------------------------|
| Dimensions(W* H*D) | 28.74*15.75*8.46in | 28.74*15.75*8.46in | 28.74*15.75*8.46in | 28.74*15.75*8.46in | 28.74*15.75*8.46in |
| Weight | 31.5kg/69.4Lb | 31.5kg/69.4Lb | 32kg/70.5Lb | 32kg/70.5Lb | 32kg/70.5Lb |
| Enclosure | NEMA 4X | NEMA 4X | NEMA 4X | NEMA 4X | NEMA 4X |
| Cooling concept | natural cooling | natural cooling | natural cooling | natural cooling | natural cooling |
| Topology | Transformer-less | Transformer-less | Transformer-less | Transformer-less | Transformer-less |
| Relative humidity | 100% | 100% | 100% | 100% | 100% |
| Altitude | | | Up to 2000m(6560ft) without power de-rating | | |
| Noise emission (typical) | ≤ 25 dB(A) | ≤ 25 dB(A) | ≤ 25 dB(A) | ≤ 25 dB(A) | ≤ 25 dB(A) |
| Consumption: standby | <5W | <5W | <5W | <5W | <5W |
| Revenue Grade Meter | opt | opt | opt | opt | opt |
| Display | LCD | LCD | LCD | LCD | LCD |
| RS485/ShineLink RF/Wifi/Ethernet/Zigbee/Cellular | yes/yes/opt/opt/opt/opt/opt | yes/yes/opt/opt/opt/opt/opt | yes/yes/opt/opt/opt/opt/opt | yes/yes/opt/opt/opt/opt/opt | yes/yes/opt/opt/opt/opt/opt |
| Warranty: 5years/10years/15years | yes/yes/opt | yes/yes/opt | yes/yes/opt | yes/yes/opt | yes/yes/opt |

Certificates and Approvals

UL1741,UL1998 ,IEEE 1547, CSA C22.2 No.107.1-1,FCC Part15(Class A&B),UL1699B